

MCP830M WEATHERPROOF BREAK GLASS CALLPOINT

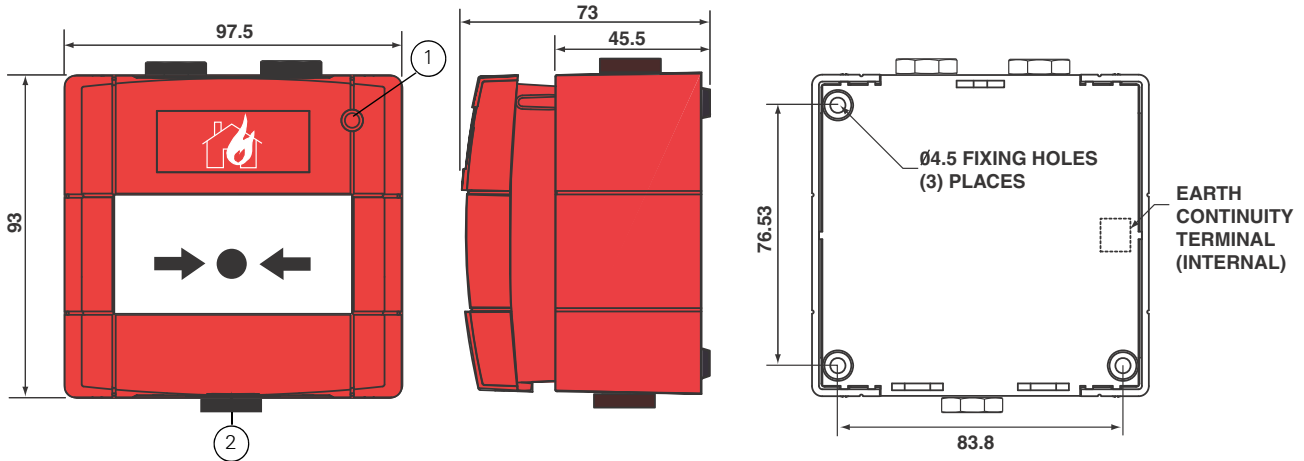


Fig. 1: MCP830M Weatherproof Break Glass Callpoint - Overall and Fixing Dimensions
 1 - Short Circuit Isolator Activation (Yellow) and Alarm Indicator LED (Red)
 2 - Test/Release Key Access

Introduction

The MCP830M Weatherproof Addressable Break Glass Callpoint is an outdoor callpoint for marine applications.

The callpoint is designed to monitor and signal the condition of a switch contact that is operated by breaking a glass sheet.

Any change in the status of the switch is immediately communicated to the control panel.

The MCP830M is fitted onto a standard KAC weatherproof backbox, which is supplied with the callpoint.

The MCP830M has an integral short-circuit isolator for monitoring the field wiring.

The MCP830M callpoint meets the requirements of EN54 Pt. 11 and EN54 Pt. 17.

Mechanical Construction

The housing consists of a combined test, reset and lid release mechanism, main assembly incorporating lid moulding and KAC weatherproof cover, plus weatherproof backbox. The lid release mechanism and lid moulding retain the break glass element. The lid moulding contains the switch assembly.

A dual colour status indicator LED is provided on the front cover. Cables may enter into the callpoint via cable gland

entries at the top and bottom of the KAC weatherproof backbox. The KAC weatherproof backbox may only be surface mounted.

An addressable module is secured within the main assembly. The terminals are used for connection to the addressable circuit.

Operation

The MCP830M consists of a switch contact which is operated by breaking the glass sheet. When the callpoint is operated, it signals the condition of this switch contact to the control panel. The LED is illuminated in red to indicate the 'ALARM' condition.

As the callpoint is resettable, it can be tested at any time with the aid of the callpoint test key provided. To release the front of the housing, the key is fully inserted into the bottom of the housing and pulled down, this releases the break glass element and the callpoint is operated. To reset the callpoint, the key is removed and the bottom of the housing is pushed upwards until it locks.

If a section of the loop wiring adjacent to the MCP830M is shorted, the built in short-circuit isolator trips, isolating the shorted section. The LED is illuminated in yellow to indicate that the isolator is tripped. This status remains until the short is removed.

Technical Specification

Table 1 shows the technical specification information.

Parameter	Value
Material	
Housing and KAC Weatherproof Cover:	Flame Retardant ABS
KAC Weatherproof Backbox:	Glass reinforced
Environment	Outdoor applications
Operating Temperature	-25 to +70 °C
Storage Temperature	-30 to +70 °C
Operating Humidity	Up to 95 % non-condensing
Dimensions (HWD)	93 x 97.5 x 73 mm
Weight	240 g
IP Rating	IP67
Approvals	<ul style="list-style-type: none"> ■ Product family standard EN50130-4 in respect of Conducted Disturbances, Radiated Immunity, Electrostatic Discharge, Fast Transients and Slow High Energy ■ EN61000-6-3 for emissions ■ Marine Equipment Directive (MED) ■ Construction Product Directive (CPD) fulfilling the requirements of: <ul style="list-style-type: none"> – EN 54-11:2001+A1:2006 for Manual Callpoints – EN 54-17:2005 for Short-Circuit Isolators

Table 1: Technical Specifications

Terminals

Fig. 2 shows connection to the MCP830M made via the 4 way terminal connector as shown in table 2.

Description	Marking	Comment
Loop Interface	1	L+ IN
	2	L- Left
	3	L+ OUT
	4	L- Right

Table 2: Terminals

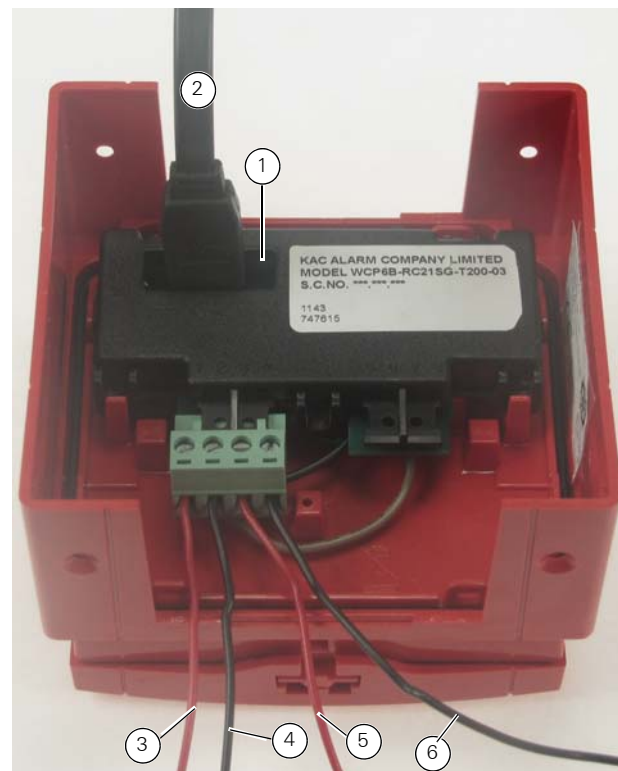


Fig. 2: MCP830M Rear View and Wiring Information

- 1– Ancillary Programming Port
- 2– Ancillary Programming Lead
- 3– Connected to Loop+IN
- 4– Connected to Loop-Left
- 5– Connected to Loop+Out
- 6– Connected to Loop-Right

Ordering Information

Components	Ordering Numbers
MCP830M Break Glass Callpoint	5 14.800.6 10
MCP EN54 Pt 1 1 Spare Glass (pk 5)	5 15.001.1 19

Table 3: Ordering Information

CPD Information



0832

Thorn Security Ltd.
Dunhams Lane
Letchworth SG6 1BE
UK

12

0832-CPD-1931

EN 54-11 and EN 54-17
Manual callpoint with Short-Circuit
Isolator for fire detection & fire
alarm systems for buildings
Type A, Indoor
MCP830M

