

Type D3 Protectospray® Directional Spray Nozzles, Open, TFP802 Appendix Material

General Description

Type D3 Protectospray Nozzles are open (non-automatic) directional spray nozzles and they are designed for use in water spray fixed systems for fire protection applications. The Type D3 Nozzles are external deflector type nozzles that discharge a uniformly filled cone of medium velocity water droplets.

They are especially effective in covering exposed vertical, horizontal, curved, and irregular shaped surfaces in a cooling spray to prevent excessive absorption of heat from an external fire and possible structural damage or spread of fire to the protected equipment. In some applications, depending on water design density requirements, they may also be used for fire control and extinguishment.

The Type D3 Nozzles are available in a wide variety of orifice sizes and spray profile angles (included angles of discharge), as described in Technical Data Sheet TFP802 to provide versatility in system design.

WARNINGS

*The Type D3 Protectospray Nozzles described herein must be installed and maintained in compliance with Technical Data Sheet TFP802, as well as with the applicable standards of the National Fire Protection Association, in addition to the standards of any other authorities having jurisdiction. **Failure to do so may impair the performance of these devices.***

The owner is responsible for maintaining their fire protection system and devices in proper operating condition. The installing contractor or sprinkler manufacturer should be contacted with any questions.

Appendix Material

As fixed directional spray nozzles, the Type D3 Protectospray Nozzles can be installed at any fixed angle of 0 degrees (pointed straight down) to 180 degrees (pointed straight up). As a function of the fixed angle, i.e., installed position, the maximum axial distance between the nozzle tip and the plane-of-protection at which the spray profile remains concentric with the centerline of the nozzle varies due to the combination of the water spray exit velocity and affect of gravity. The axial distance, therefore, becomes shorter as the fixed angle is changed from 0 degrees to 180 degrees.

Technical Data Sheet TFP802 provides the maximum axial distance for exposure protection over the fixed angle range of 0 to 180 degrees. Figures 1 through 7 in this data sheet have been prepared as reference to illustrate the fixed angles of 0 degrees and 90 degrees. These illustrations have been based on the information provided in Technical Data Sheet TFP802.



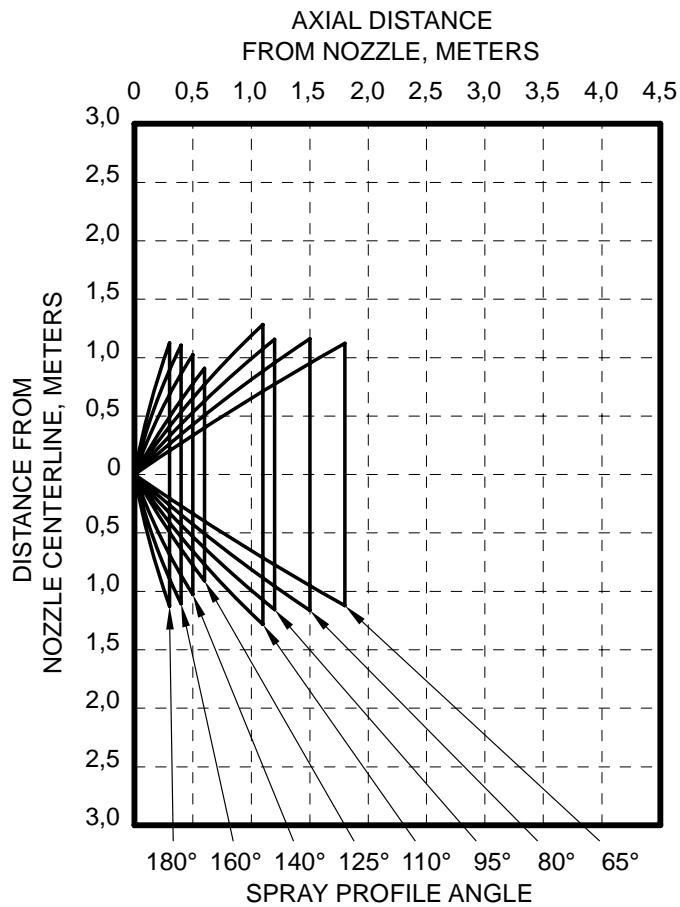
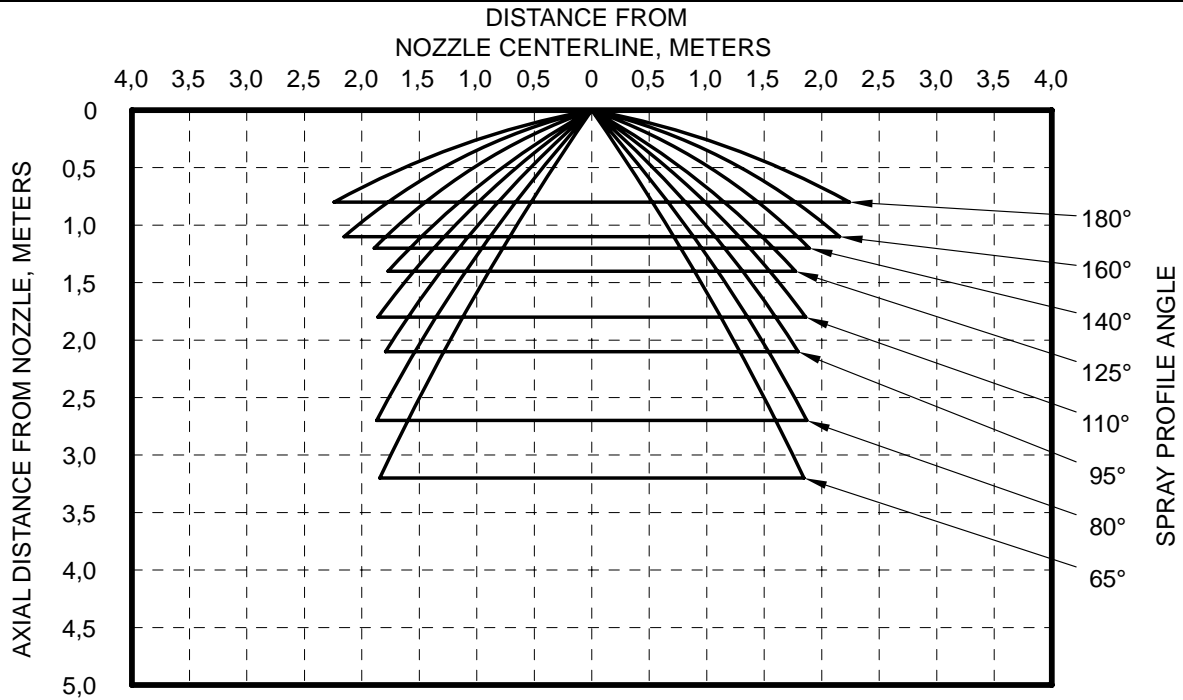


FIGURE 1
No. 16 ORIFICE — SPRAY PROFILES
AT 0 DEGREES (DOWN) AND 90 DEGREES (HORIZONTAL) FIXED ANGLE OF ORIENTATION

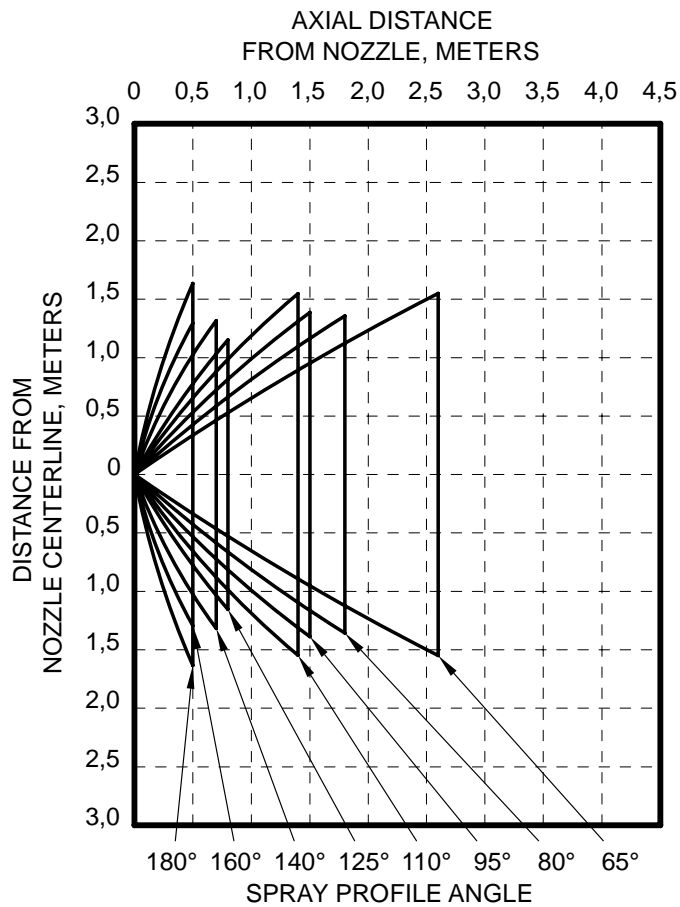
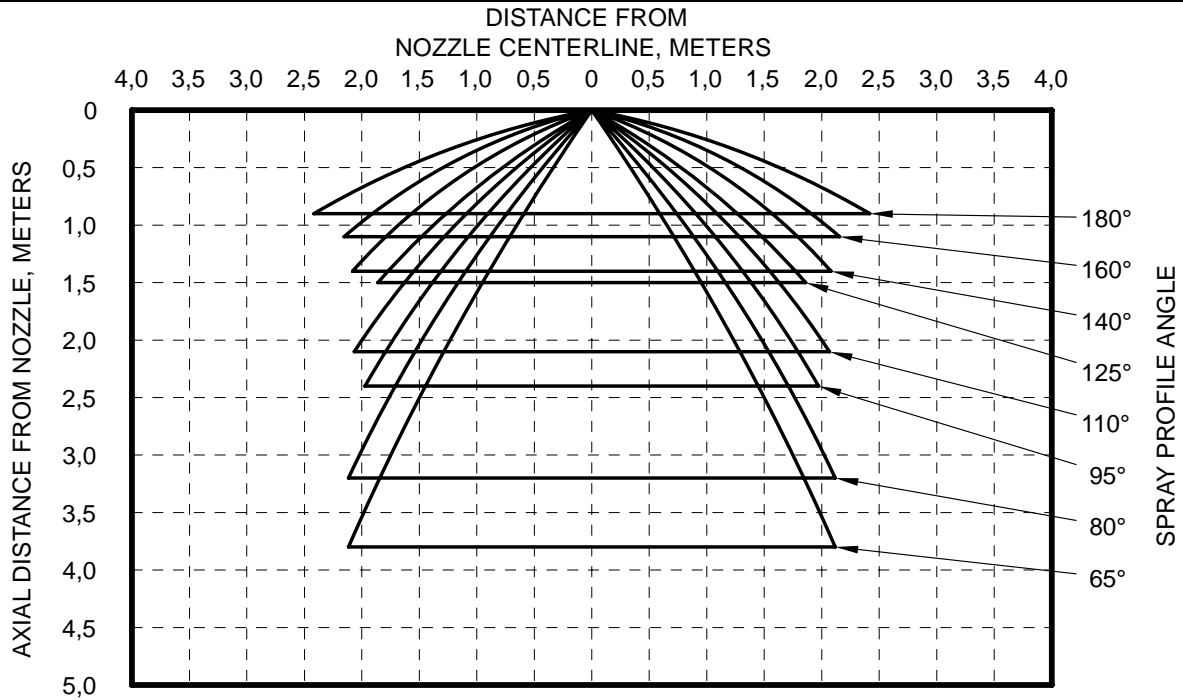


FIGURE 2
No. 18 ORIFICE — SPRAY PROFILES
AT 0 DEGREES (DOWN) AND 90 DEGREES (HORIZONTAL) FIXED ANGLE OF ORIENTATION

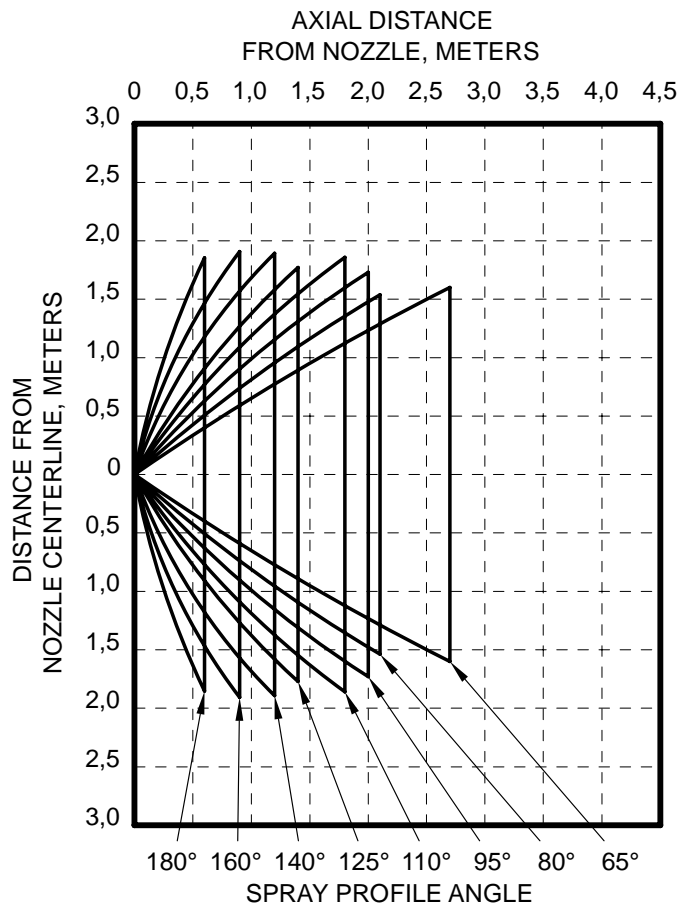
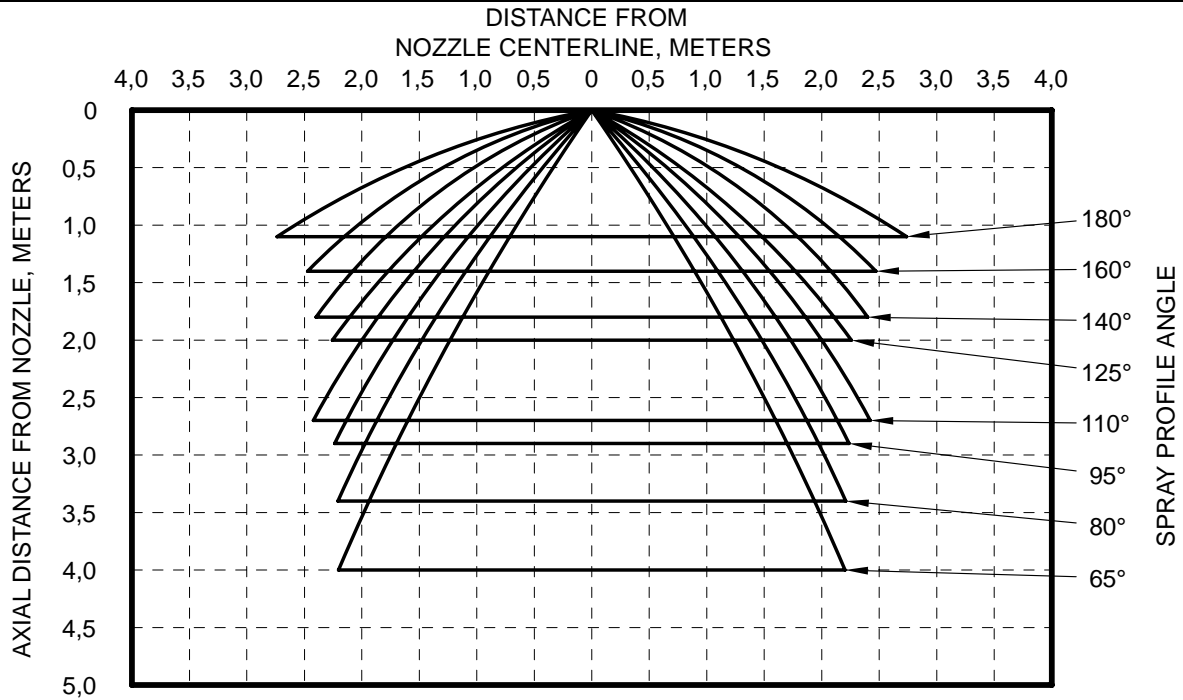


FIGURE 3
No. 21 ORIFICE — SPRAY PROFILES
AT 0 DEGREES (DOWN) AND 90 DEGREES (HORIZONTAL) FIXED ANGLE OF ORIENTATION

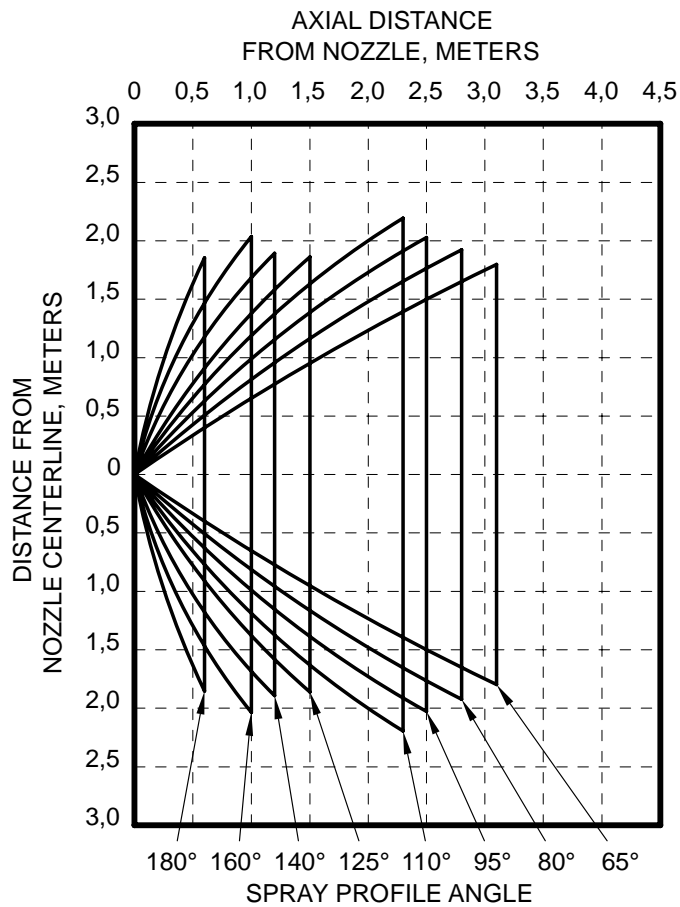
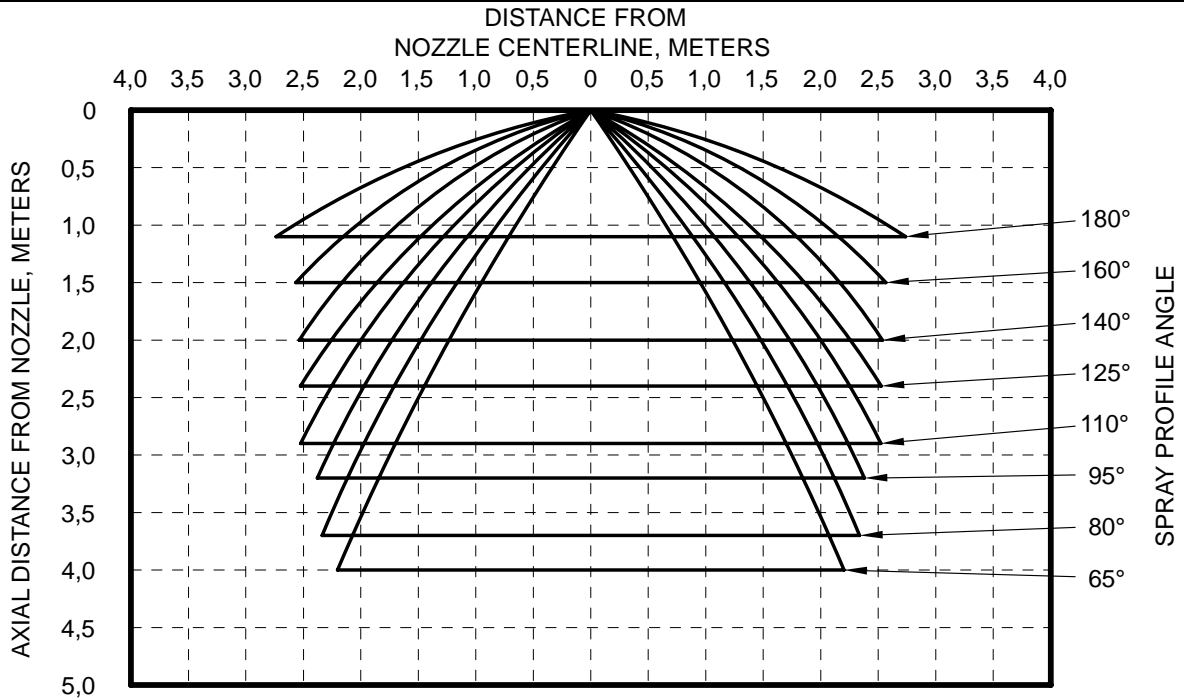


FIGURE 4
No. 24 ORIFICE — SPRAY PROFILES
AT 0 DEGREES (DOWN) AND 90 DEGREES (HORIZONTAL) FIXED ANGLE OF ORIENTATION

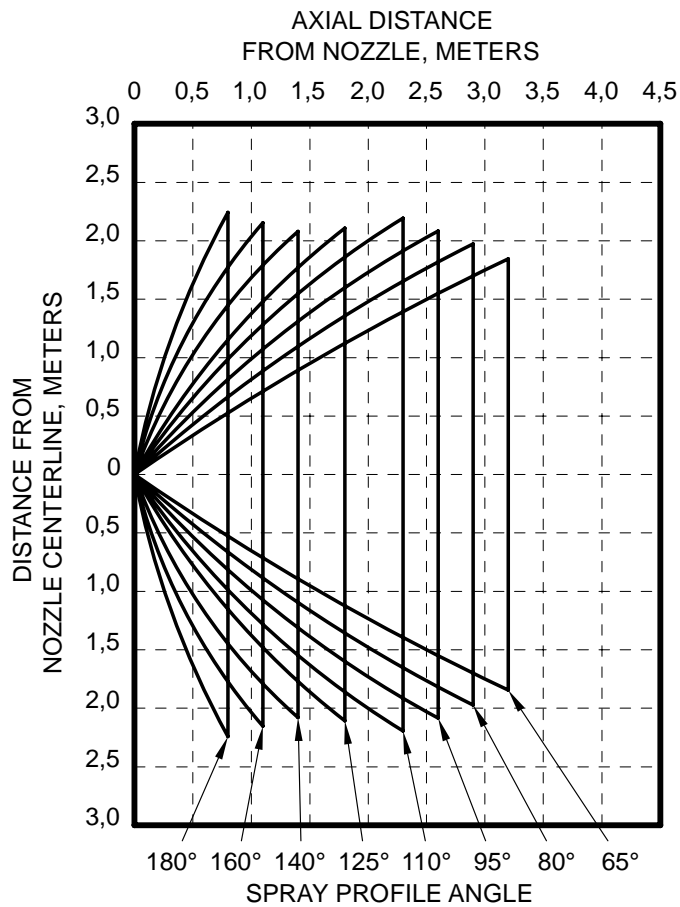
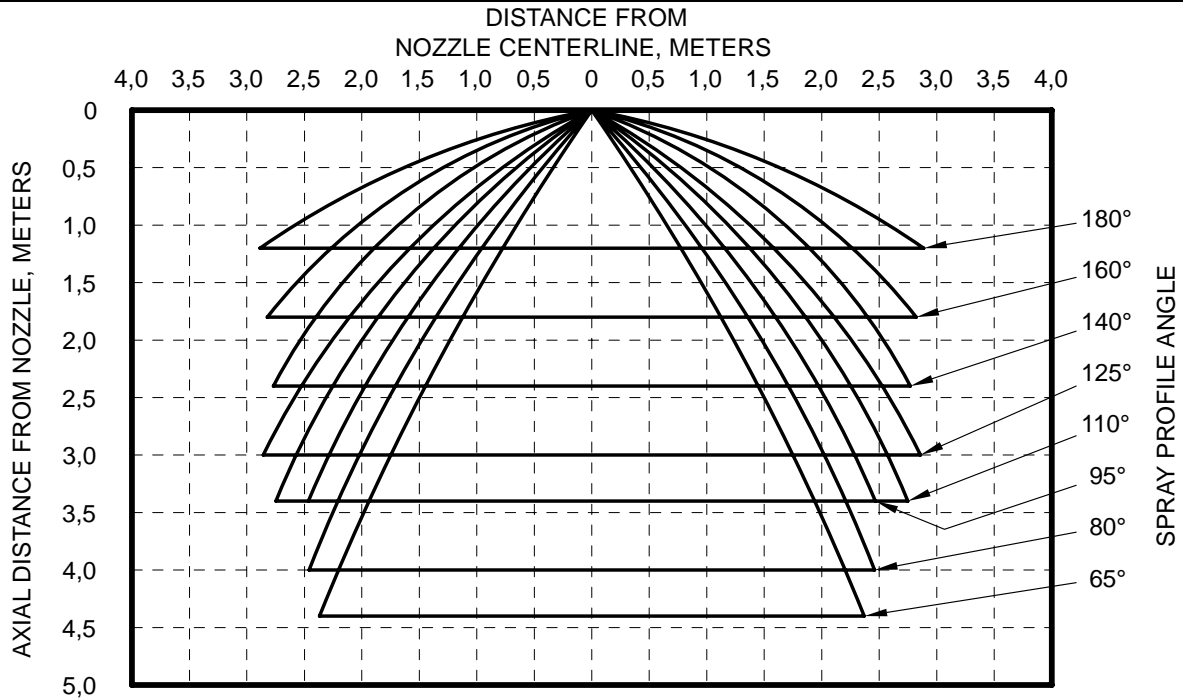


FIGURE 5
No. 28 ORIFICE — SPRAY PROFILES
AT 0 DEGREES (DOWN) AND 90 DEGREES (HORIZONTAL) FIXED ANGLE OF ORIENTATION

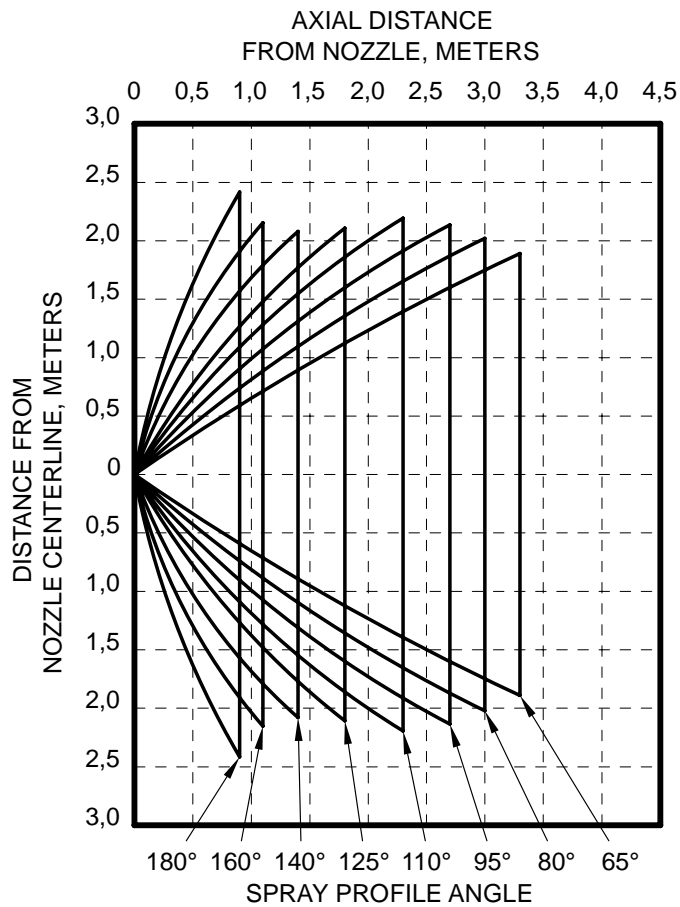
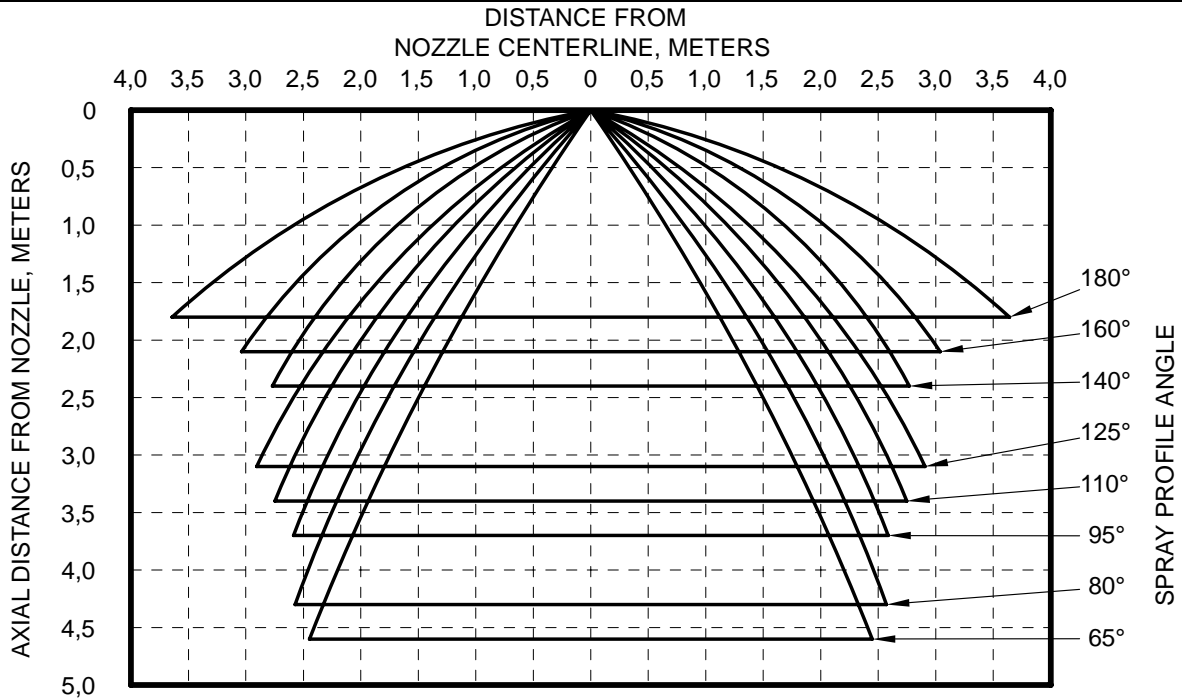


FIGURE 6
No. 32 ORIFICE — SPRAY PROFILES
AT 0 DEGREES (DOWN) AND 90 DEGREES (HORIZONTAL) FIXED ANGLE OF ORIENTATION

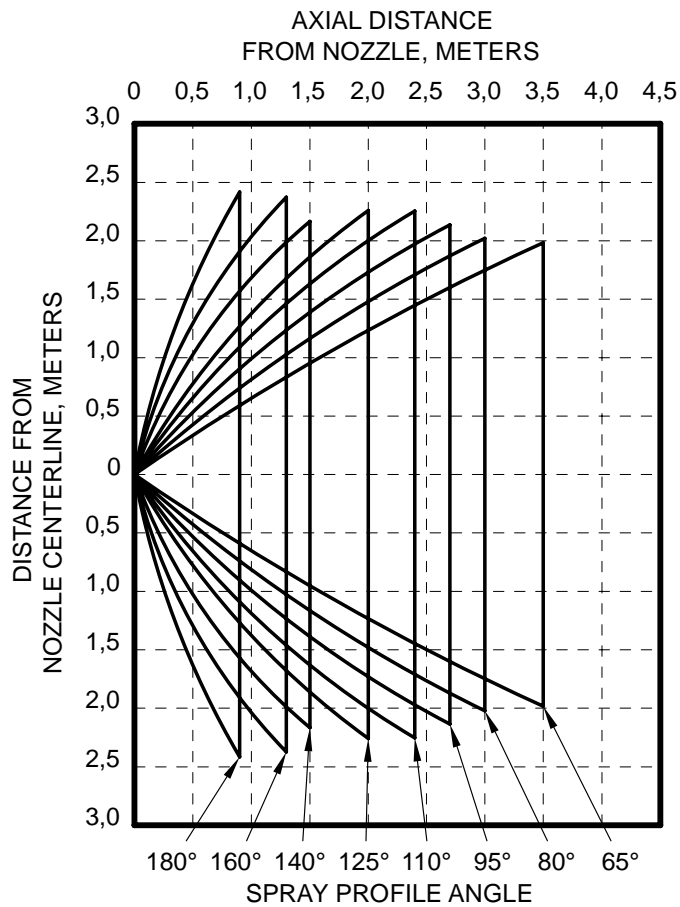
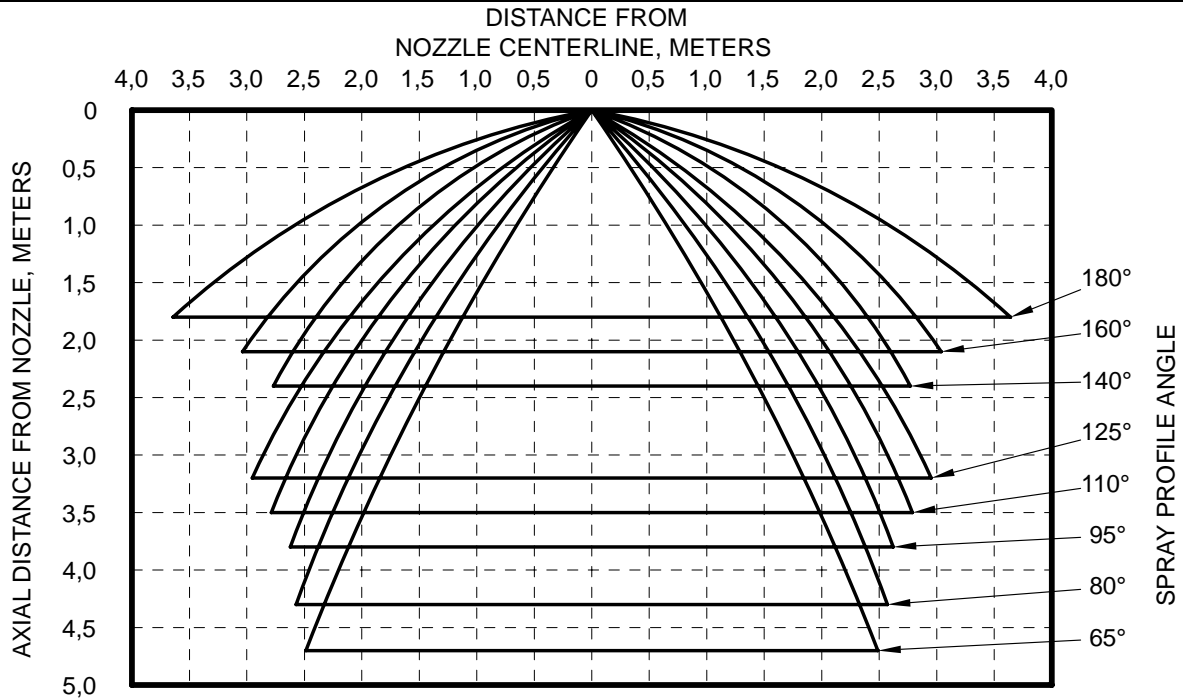


FIGURE 7
No. 34 ORIFICE — SPRAY PROFILES
AT 0 DEGREES (DOWN) AND 90 DEGREES (HORIZONTAL) FIXED ANGLE OF ORIENTATION